

Wiring diagram for SMT8 V4 - Fuel

Vehicle Model: Audi A3 (AUM) 1.8t

Year: 2002

Tips/Notes: Magnetic ME 7.5

Last Changed Date:

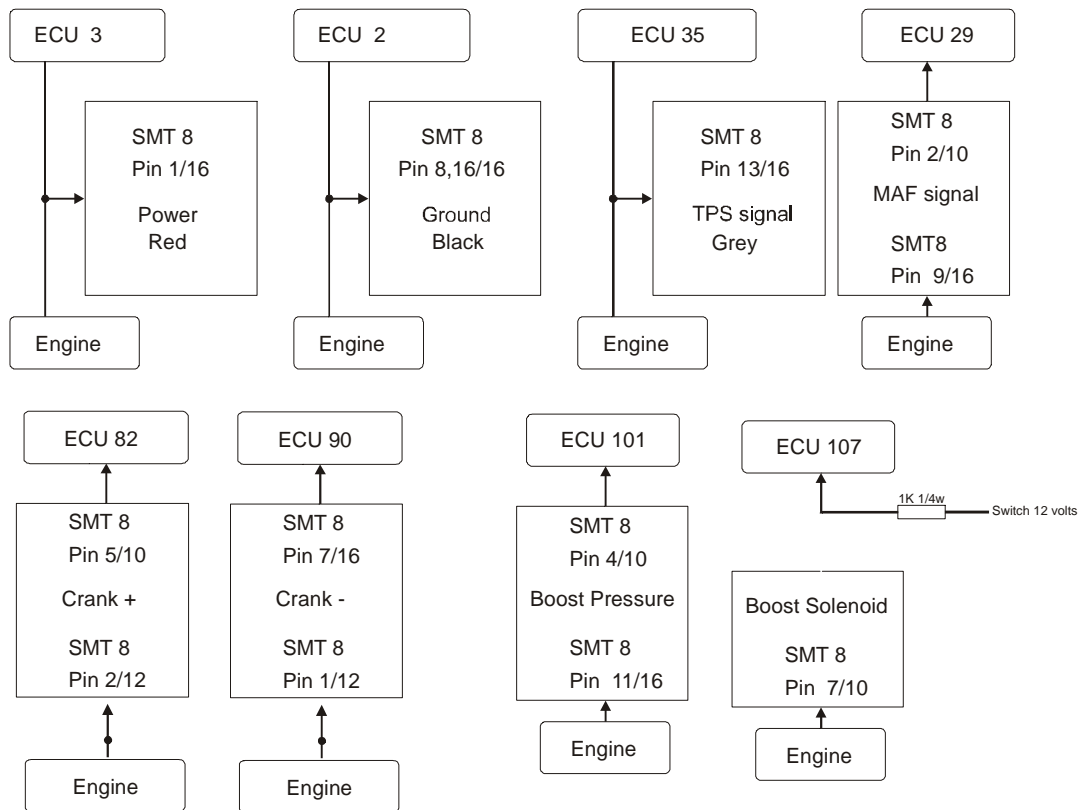
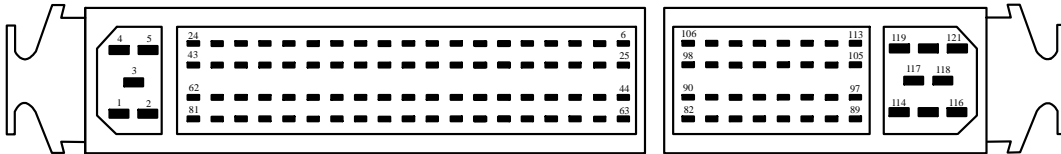
ECU Connector Information

ECU Manufacturer:

No of Pins: 121 No. of Connectors:

ECU Location: Under Windscreen Pelum

No. of Rows: 4



Copyright Digital Data Systems

As a result of ECU pin out variations for this vehicle worldwide, this Wiring Diagram is to be used as a guide. Digital Data Systems will not be held responsible in any way for incorrect wiring information contained. Information in this document, including Internet Web Site references, is subject to change without notice.