

## Wiring diagram for SMT8 V4 - Fuel

Vehicle Model: Audi A4 (BFB 1.8t)

Year: 2002

Tips/Notes: Magnetic ME 7.5

Last Changed Date:

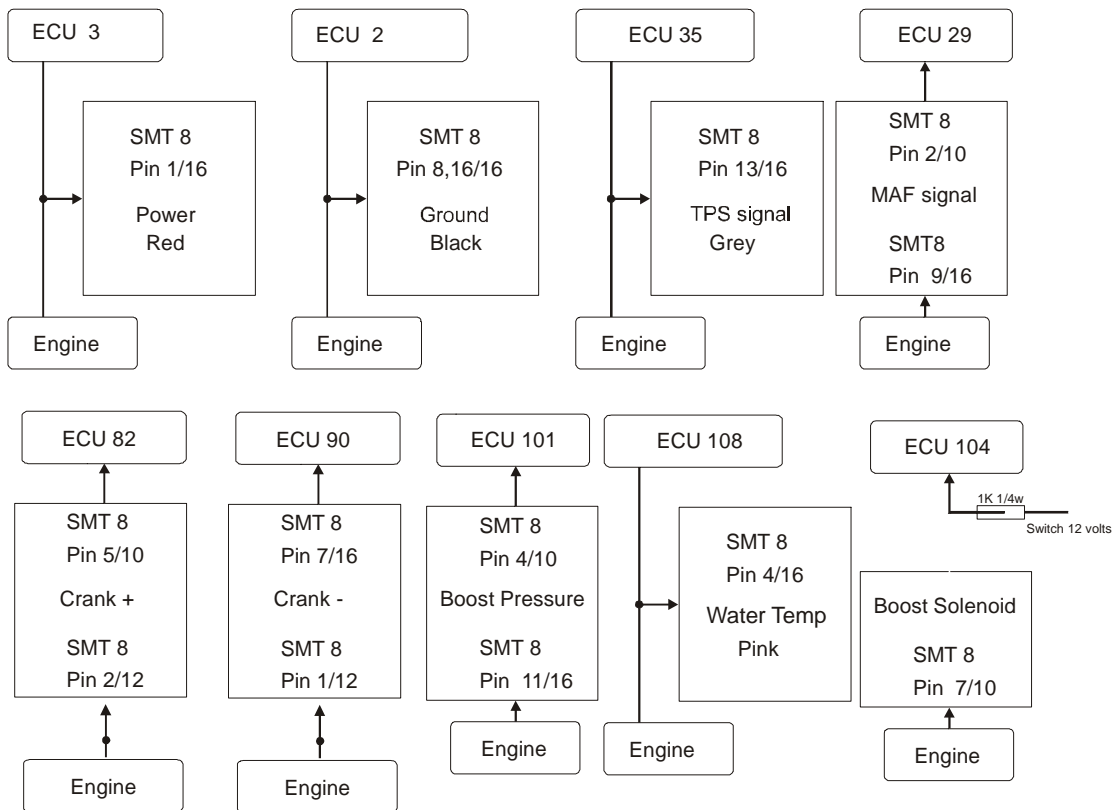
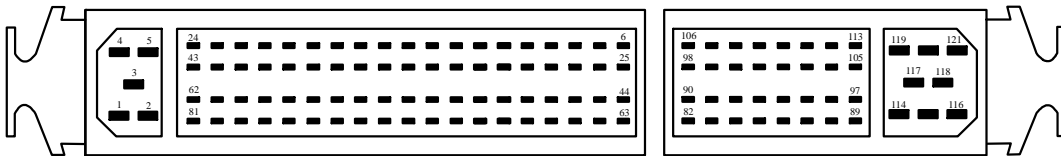
### ECU Connector Information

ECU Manufacturer:

No of Pins: 121 No. of Connectors:

ECU Location: Under Windscreen Pelum

No. of Rows: 4



Copyright GnG Developments

As a result of ECU pin out variations for this vehicle worldwide, this Wiring Diagram is to be used only as a guideline. GnG Developments will not be held responsible in any way for incorrect wiring information contained. Information in this document, including Internet Web Site references, is subject to change without notice.