

Wiring diagram for SMT8 V4 - Fuel

Vehicle Model: BMW 330i E46

Year: 2000-2003

Tips/Notes: Hall Effect

Last Changed Date:

ECU Connector Information

ECU Manufacturer: Siemens MS 43

No of Pins: 108

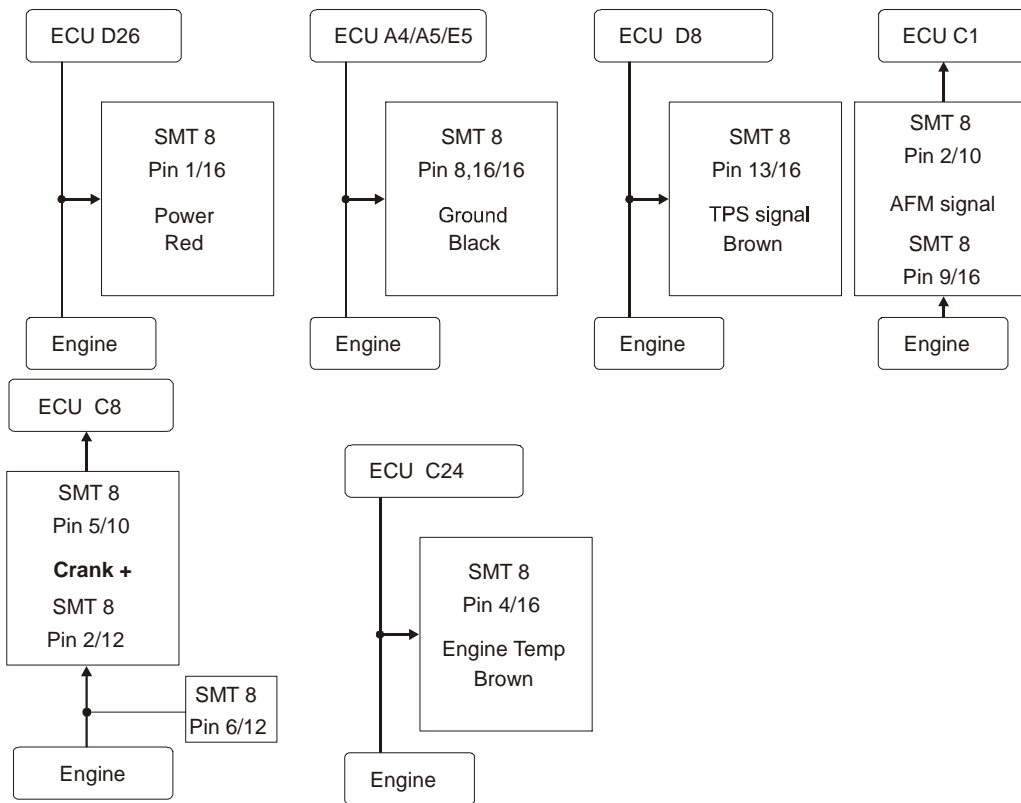
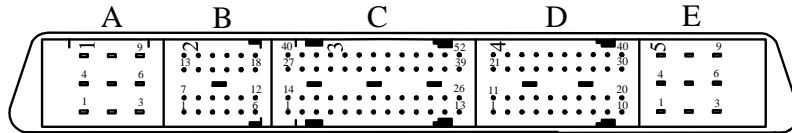
No. of Connectors: 1

ECU Location: Top Right of engine Bay

No. of Rows: 3

Description: Siemens MS 43

Features:



Ops Mode Settings:

Teeth per turn: 60 Edges per turn: 58 Teeth Per Firing: 20 60-2 trigger pattern

Copyright GnG Developments

As a result of ECU pin out variations for this vehicle worldwide, this Wiring Diagram is to be used only as a guideline. GnG Developments will not be held responsible in any way for incorrect wiring information contained. Information in this document, including Internet Web Site references, is subject to change