

Wiring diagram for SMT 8 T V6 - Fuel

Vehicle Model: Ford Icon 1600

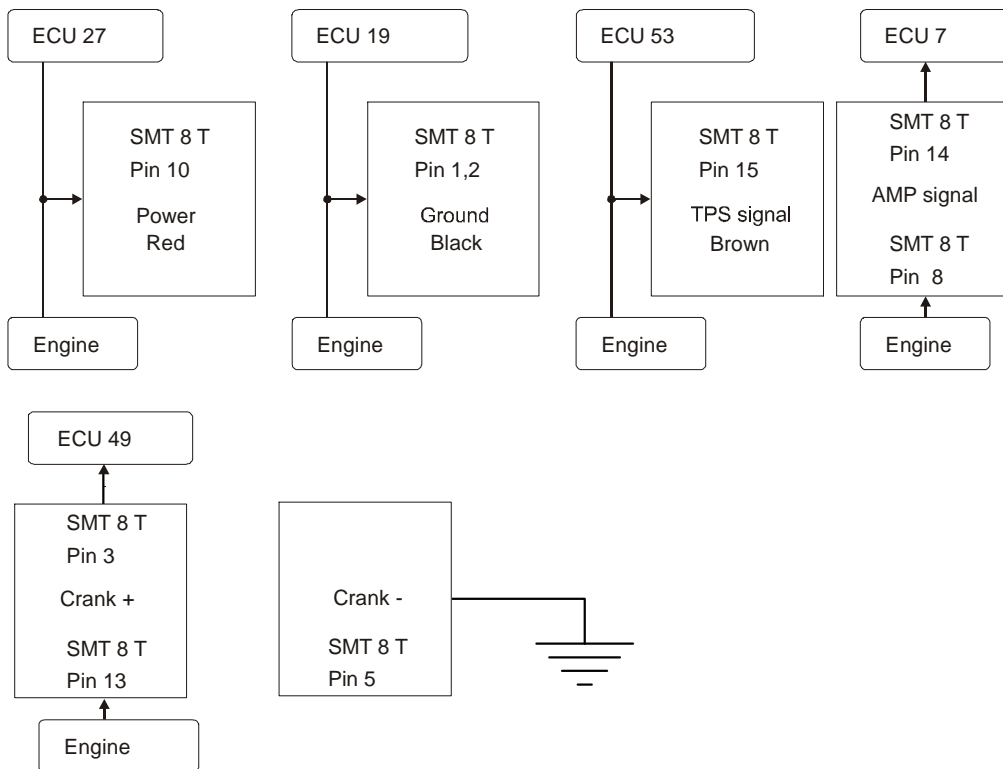
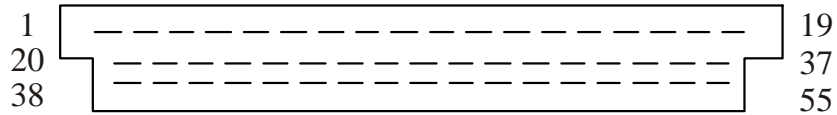
Year: 1996-1999

Tips/Notes:

Last Changed Date:

ECU Connector Information

ECU Manufacturer:	No. of Pins: 55	No. of Connectors: 1
ECU Location: L/F kick panel	No. of Rows: 3	
Description:	Features:	



Copyright GnG Developments

As a result of ECU pin out variations for this vehicle worldwide, this Wiring Diagram is to be used as a guide line only. GnG Developments will not be held responsible in any way for incorrect wiring information contained. Information in this document, including Internet Web Site references, is subject to change without notice.